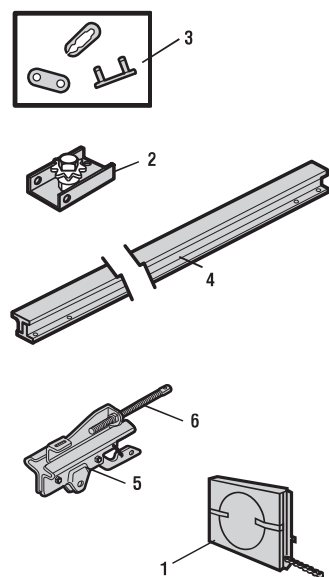


Repair Parts

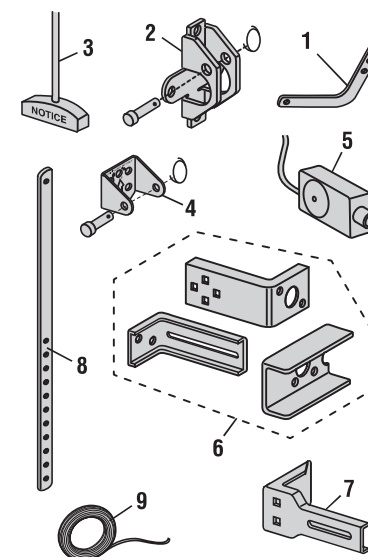
Rail Assembly Parts

Description	Part Number
1 Chain - for 8 foot door	041D3483
Chain - for 10 foot door	041D3485
Chain - for 12 foot door	19-5812
Chain - for 14 foot door	19-5814
2 Chain Pulley Bracket	41A2780
3 Master Link	19-48ML
4 8 feet (2.4 m) Rail	CD1008
10 feet (3 m) Rail	CD1010
12 feet (3.6 m) Rail	CD1012
14 feet (4.2 m) Rail	CD1014
5 Trolley Assembly	41A3489
6 Trolley Threaded Shaft	K109B0018
Not Shown	
Rail Grease	83A11-2



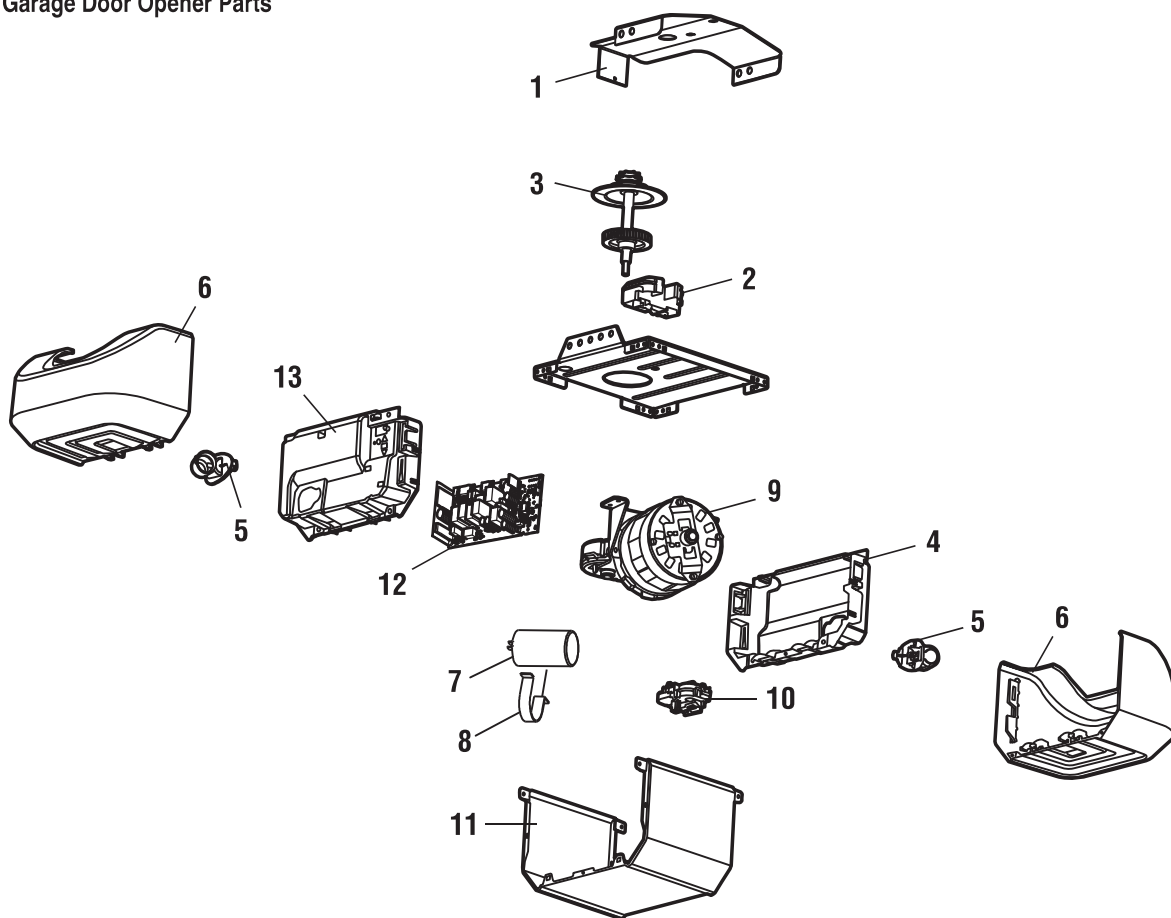
Installation Parts

Description	Part Number
1 Curved Door Arm	041B0035B
2 Door Bracket with Clevis Pin and Fastener	41A5047-1
3 Emergency Release Rope and Handle	41A2828
4 Header Bracket with Clevis Pin and Fastener	41A4353-1
5 Safety Sensor Kit with receiving and sending sensors with 3 feet (.9 m) 2-conductor wire	041A4373ATS
6 Safety Sensor Bracket	041A6569
7 Extension Brackets	041A5281-1
8 Straight Door Arm	04178B0034B
9 White and Red/White Wire	41B4494-1
Not Shown	
Installation Manual	114A5255
Hardware Kit	041A2770-17



Repair Parts

Garage Door Opener Parts



Description	Part Number
1 Chassis support bracket	041C5069
2 Chain spreader	041A4208-2
3 Gear and sprocket	041A5585
4 End panel	041A7756-1
5 Light socket	041C0279
6 Light lens	041A7562
7 Capacitor	030B0532-1
8 Capacitor bracket	012A0373
9 Motor with travel module	041A7767
10 Travel module	041D7742-7
11 Cover	041-0014
12 Receiver logic board	050ACTWFATS
13 Logic end panel	041D8198
Not Shown	
Wire harness	041A7814
Line cord	041B4245-1
Terminal block	041A3150

Contact Information

Visit us online at:

LiftMaster.com

or

myLiftMaster.com

Or for installation and service information call:

1-800-528-9131

Before calling, please have the model number of the garage door opener. If you are calling about a troubleshooting issue, it is recommended that you have access to your garage door opener while calling. If you are ordering a repair part please have the following information: part number, part name, and model number.

Wi-Fi® is a registered trademark of Wi-Fi Alliance.

© 2018, LiftMaster
All Rights Reserved