

S-24 | SN-24



Mid-America Series

2 LAYERS OR 1 LAYER
STEEL PAN DOOR

DEEP GROOVES
THICKNESS 2"

POLYSTYRENE + VINYL BACKING (R-5.4) OR NON-INSULATED



FEATURES AND BENEFITS

A DEEP-GROOVED STEEL WALL

- Providing more **strength** and **additional bending resistance**, our sections are made with 1/2" deep and 2" wide horizontal grooves with alternating smaller grooves.

B OPTIONAL POLYSTYRENE INSULATION

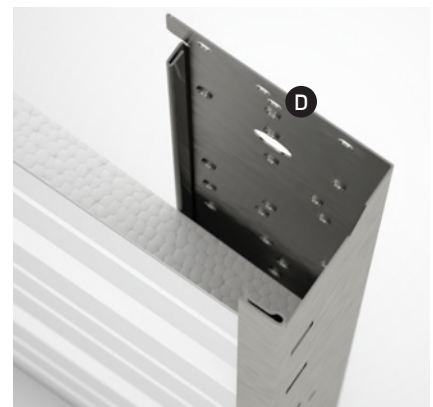
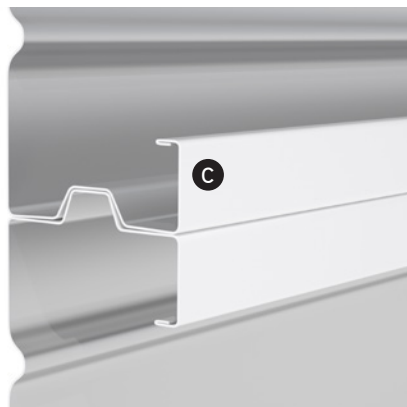
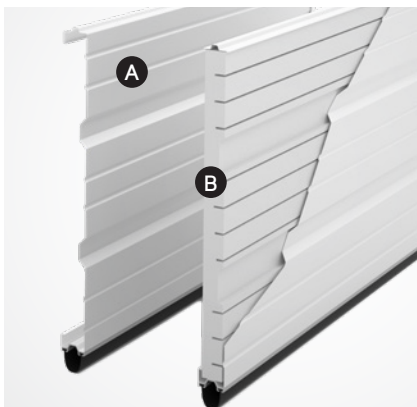
- For energy savings, polystyrene insulation protected with a vinyl backing is available.

C SECTION PROFILE

- Rails are hemmed the entire length of the section for added **sturdiness** and **dependability**.

D CENTER AND END STILES

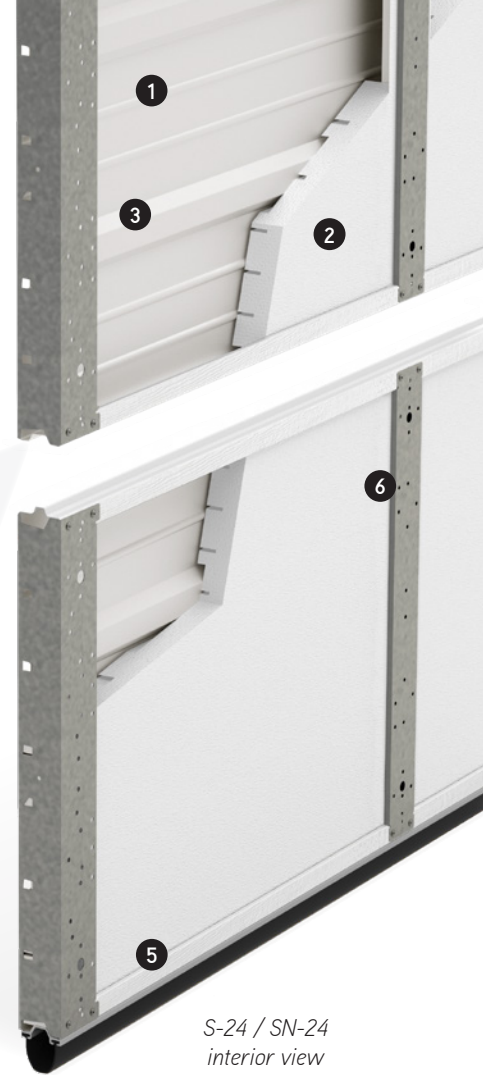
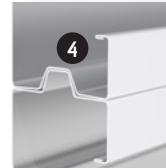
- With a fully hemmed edge for added **strength** and **safety**, all stiles are pre-punched with extruded holes for secure attachment of hinges and hardware components.



PANEL CONSTRUCTION

- 1 **Hot-dipped galvanized steel wall**
 - Baked-on polyester paint. Can be repainted
 - Corrosion resistant
- 2 2" (50 mm) door
 - Optional CFC-free **polystyrene insulation covered with a vinyl backing** ensuring a thermal-resistance rating of **R-5.4** (RSI 1.0 or k=1.000 W/m²K) for S-24 and SN-24.
- 3 Sections are made with **½" (13 mm) deep and 2" (50 mm) wide grooves** providing more strength to the door.
- 4 **Tongue & groove joints** between sections that fit seamlessly.
- 5 **Bottom weatherstripping**
S-24 and SN-24: continuous astragal made of U-shaped flexible vinyl and held in place by an aluminum retainer for the S-24 and by a vinyl retainer for the SN-24.
- 6 **Vertical center stiles**
S-24 and SN-24: 18-gauge galvanized steel provides a rock solid base and the pre-punched holes help to affix hinges and struts. One edge is hemmed to add more strength to the section.

	S-24	SN-24
Exterior steel skin	24-gauge	25-gauge
Exterior side finish	Smooth	Smooth



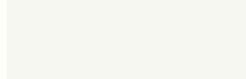
S-24 / SN-24
interior view

Door weight:

	S-24	SN-24
Insulated	1.59 lb/ft ² (7.8 kg/m ²)	1.50 lb/ft ² (7.3 kg/m ²)
Non-insulated	1.44 lb/ft ² (7.0 kg/m ²)	1.34 lb/ft ² (6.5 kg/m ²)

COLOR

S-24 and SN-24



White

Color may slightly vary from images.

SIZES

	S-24	SN-24
Widths In 1" (25 mm) increments	From 5' to 30'2" (1.2 m to 9.2 m)	From 5' to 20'2" (1.2 m to 6.1 m)
Heights In 3" (76 mm) increments	From 6' to 22' (1.8 m to 6.7 m)	From 6' to 14' (1.8 m to 4.3 m)

WINDOWS

S-24 and SN-24 Standard Windows
 24" x 6" (610 mm x 152 mm) or
 25" x 13" (635 mm x 330 mm)
 Thermopane ½": Clear
 Single glass ⅝": Clear
 Color: Black

For more details, visit:
garaga.com/windows-s24



garaga.com
 info@garaga.com

US Head Office
 1 800 364-3667
 Ponca City, OK
Canadian Head Office
 1 800 464-2724
 St-Georges, QC

PANEL DESIGN



Deep Grooves
 ½" deep, 2" wide

HARDWARE

See details with your Garaga dealer.

WARRANTY (LIMITED)

1 year against structural failures.

YOUR
 DISTRIBUTOR

FSC LOGO