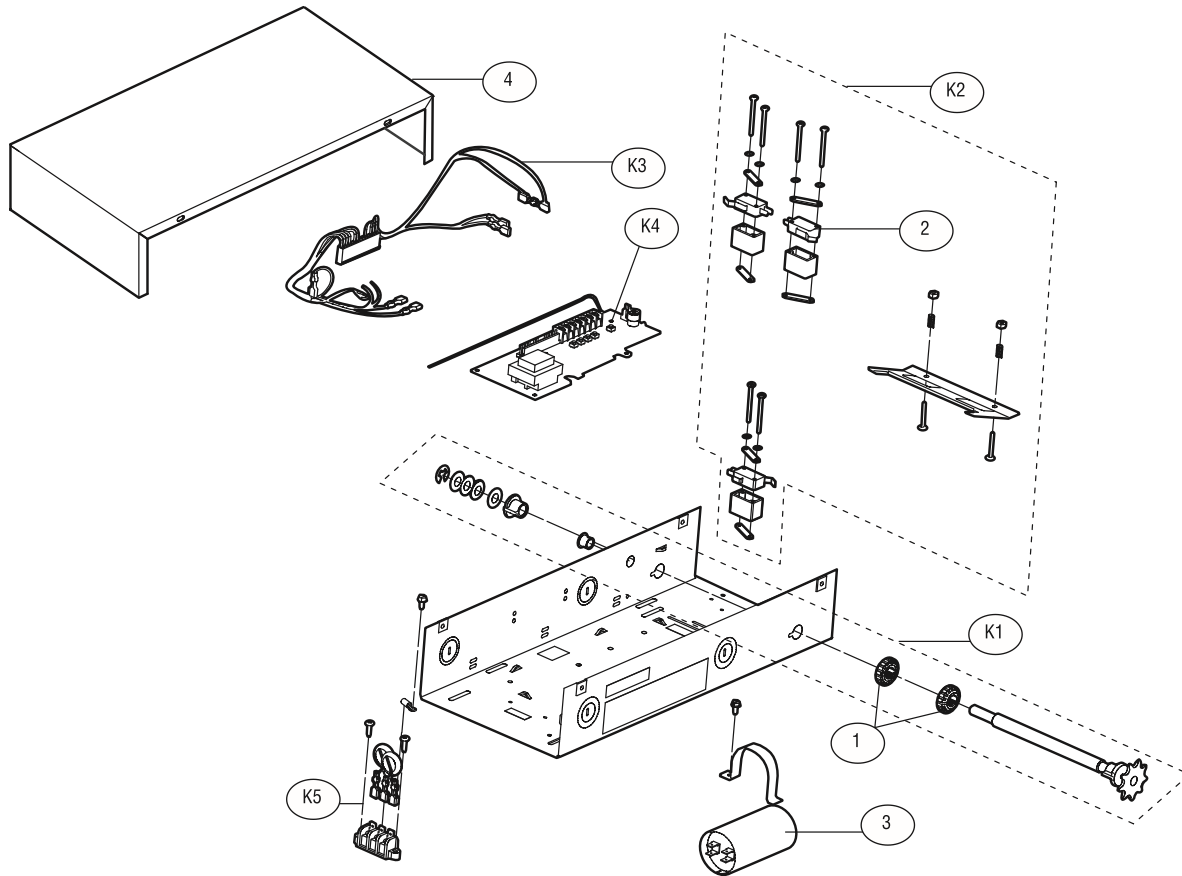


Electric Box

Models MT, BMT, MJ, MH, MHS, and MGJ



SERVICE KITS

ITEM	PART #	DESCRIPTION
K1	K72-33872-1	Limit Switch Shaft Kit (For MT, BMT, MJ, MH and MHS) Complete with: Limit shaft, limit nuts, limit bearings, limit sprocket, washers, compression ring, roll pin and e-ring
	K72-33872-2	Limit Switch Shaft Kit (For MGJ) Complete with: Limit shaft, limit nuts, limit bearings, limit sprocket, washers, compression ring, roll pin and e-ring
K2	K72-12493	Limit Switch Kit Complete with: Limit nut retainer, switch plates, backup plate, depress plate, switches (3), standoffs, screws and locknuts
K3	K94-33961	Wiring Harness Complete with harness and wire ties
K4	K001A6424	Logic Board, Medium Duty "U", 315 MHz
K4	K001A6424-1	Logic Board, Medium Duty "U", 390 MHz
K5	K74-31243	MOV and terminal block

INDIVIDUAL PARTS

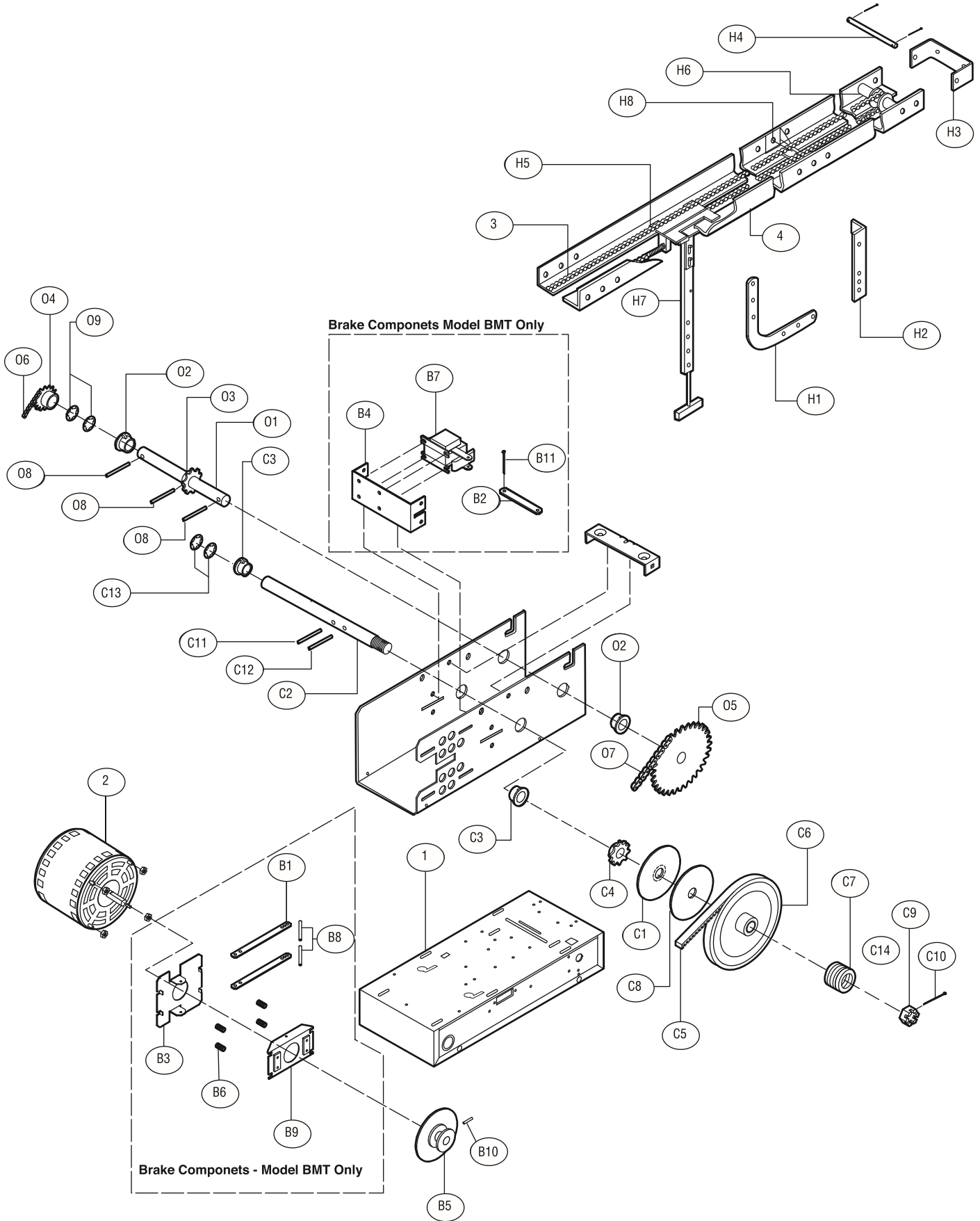
ITEM	PART #	DESCRIPTION
1	13-10024	Limit Nut
2	23-10041	Limit Switch
3	29-10338	Capacitor, Medium Duty
4	K10-33850	Cover

ELECTRICAL BOX REPLACEMENT KITS

To order a complete electrical box replacement kit, add a K- Prefix to the model number of your operator for example: MTJ011M (Operator) = K-MTJ011M (Electrical Box Kit)

Medium-Duty Trolley Operator

Models MT, and BMT



Medium-Duty Trolley Operator

BRAKE ASSEMBLY KITS

ITEM	PART#	DESCRIPTION
B1	10-10354	Brake Release Arm
B2	10-10355	Solenoid Link
B3	10-10356	Brake Mounting Plate
B4	10-10357	Solenoid Bracket
B5	17-10363	Pulley & Disc Assembly
B6		Compression Spring .360 O.D.x.045WD (Available in complete brake kits only)
B7	22-120	115V Brake Solenoid
	22-240	230V Brake Solenoid
B8	31-10364	Spacer .20 I.D.x.260 ODx1
B9	75-10359	Brake Pad
B10	82-NH25-03	1/4-20x03 HS SSCR, KCP, ST
B11	86-CP05-108	Cotter Pin 5/32"x1-1/2"

Brake Kits for Model BMT ONLY

K75-12492 For Model BMT 5011

K72-33875 · CLUTCH SHAFT KIT

ITEM	PART#	DESCRIPTION
C1	10-10166	Clutch Plate
C2	11-10320	Clutch Shaft
C3	12-10029	Bearing 3/4" I.D.
C4	15-48B10GXX	Sprocket, 48B10x3/4"
C5	16-4L290	Cogged Belt
C6	17-10336	4L Motor Pulley 7" O.D.
C7	18-10164	Clutch Spring (1/3&1/2 HP)
C8	39-10167	Clutch Disc
C9	84-SH-76	Castle Nut 3/4-16
C10	86-CP04-112	Cotter Pin 1/8"x1-3/4"
C11	86-RP08-102	Roll Pin 1/4"x1-1/8"
C12	86-RP08-200	Roll Pin 1/4"x2"
C13	87-P-075	Turac 3/4" Push on Fastener
C14	85-FW-75	Flat Washer 3/4"

K77-12486 · HARDWARE KIT

ITEM	PART#	DESCRIPTION
H1	10-10203	Curved Arm
H2	10-10204	Door Bracket
H3	10-10205	Header Bracket
H4	11-10130	Header Pivot Pin
H5	75-10170	Slider Assembly
H6	75-10174	Front Idler Assembly
H8	75-10259	Track Spacer Assembly
Not Shown		
	1110197	Take Up Bolt

K72-33873 · OUTPUT SHAFT KIT

ITEM	PART#	DESCRIPTION
O1	11-10319	Output Shaft
O2	12-10029	Bearing 3/4" I.D.
O3	15-48B10GXX	Sprocket, 48B10x3/4"
O4	15-48B10G1	Sprocket, 48B10x3/4"
O5	15-48B24GXX	Sprocket, 48B24x3/4"
O6	19-48027M	Chain #48x27 Links with Master Link
O7	19-48033M	Chain #48x33 Links with Master Link
O8	86-RP08-102	Roll Pin 1/4"x1-1/8"
O9	87-P-075	Turac 3/4" Push on Fastener

K75-12870 · STRAIGHT & CURVED ARM

ITEM	PART#	DESCRIPTION
H1	10-10203	Curved Arm
H2	10-10204	Door Bracket
H7	75-10214	Straight Arm Assembly

INDIVIDUAL PARTS

ITEM	PART#	DESCRIPTION
1	K-MT5011U	Electrical Box - MT5011, 115V
	K-BMT5011U	Electrical Box - BMT5011, 115V
2	K20-5150-LD-1	Motor - Models MT5011, BMT5011
3	19-5810	#48 Chain Doors 8' to 10'
	19-5812	#48 Chain Doors to 12'
	19-5814	#48 Chain Doors to 14'
4		Door Track*
Not Shown		
	85-FW-75	Flat Washer 3/4"

HEAVY DUTY STRAIGHT ARM

PART#	DESCRIPTION
K75-17034	Upgrade Kit