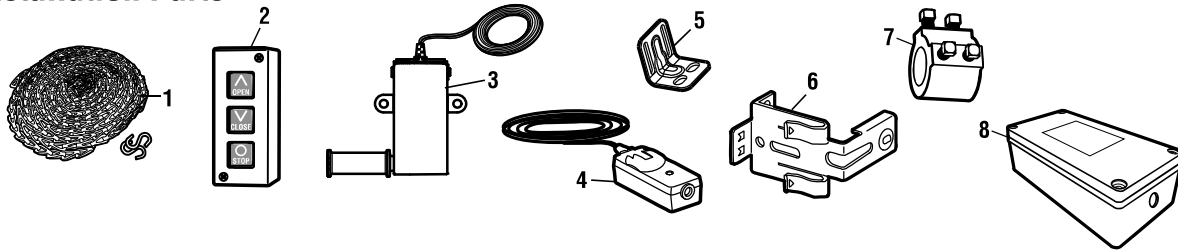


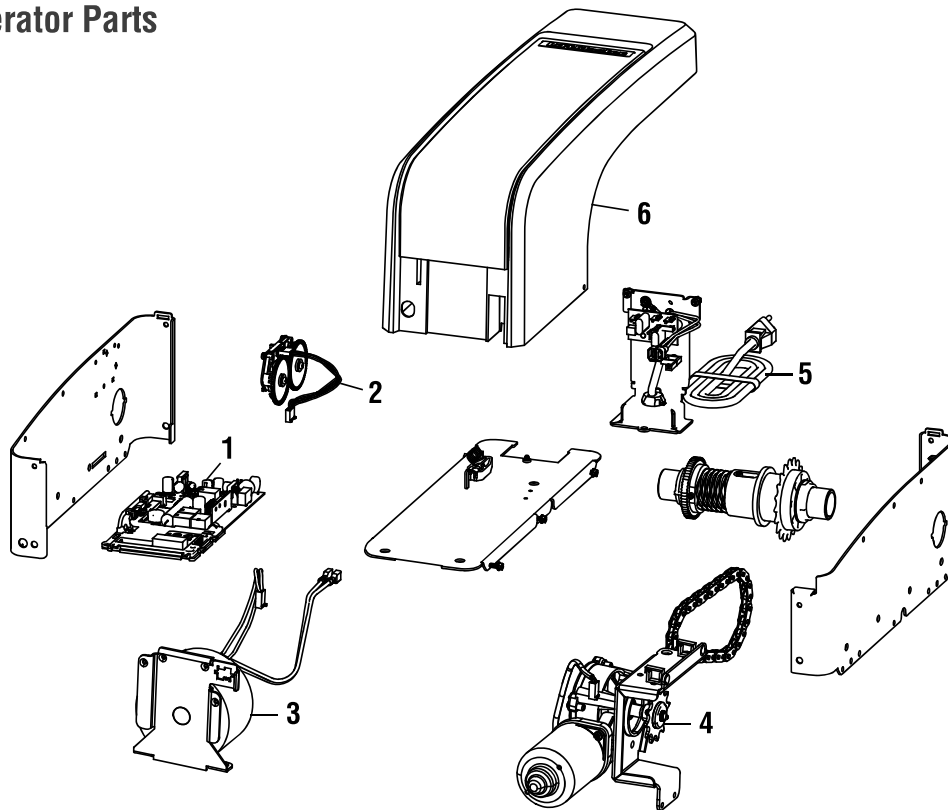
# Repair Parts

## Installation Parts



KEY NO.	PART NO.	DESCRIPTION	KEY NO.	PART NO.	DESCRIPTION
1	71-199010	Emergency release sash chain and S-hooks (2)	5	041B6228	Mounting bracket
2	02-103	Three-button Control Station	6	041A5266-3	Safety reversing sensor brackets (2)
3	041A6104	Cable tension monitor	7	041D8615	Collar
4	041A5034	Safety Reversing Sensor kit (receiving and sending sensors) with 2-conductor bell wire attached	8	K002D2085	LMI5 Dock Door Operator Interface
				<b>NOT SHOWN</b>	
				114A5186	Owner's manual

## Door Operator Parts



KEY NO.	PART NO.	DESCRIPTION	KEY NO.	PART NO.	DESCRIPTION
1	050DCDDOWF	Logic Board	5	041D0190	Power cord
2	041B8861	Travel Module with Wire Harness	6	041D9042	Cover
3	041C0296	Transformer		<b>NOT SHOWN</b>	
4	041D1624-2	Motor		041D9044	Battery Cover and Logic Board Cover