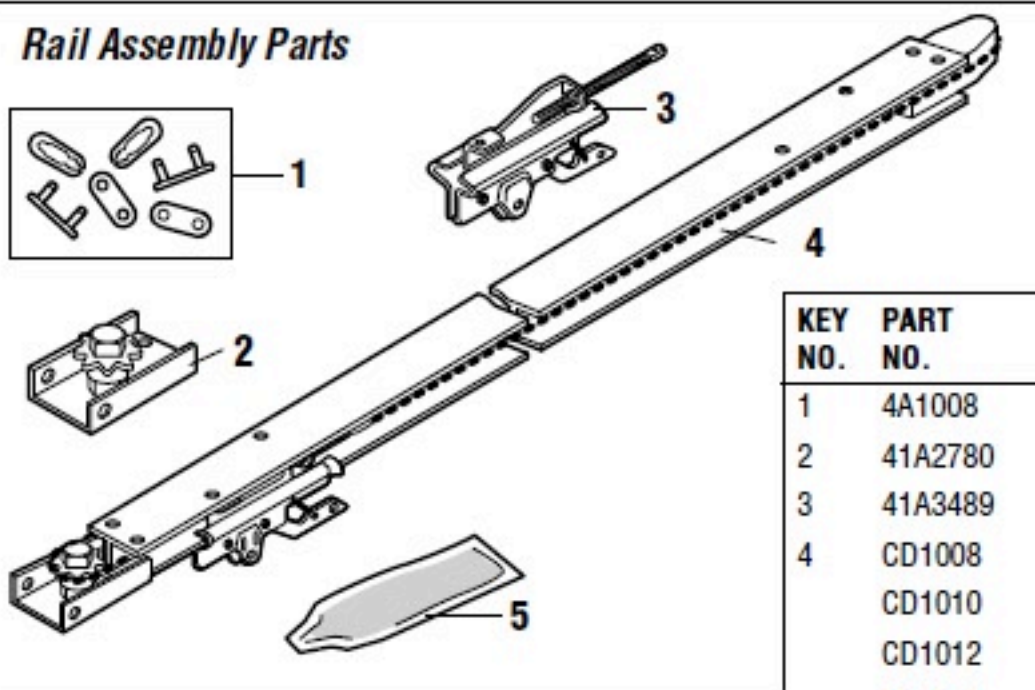


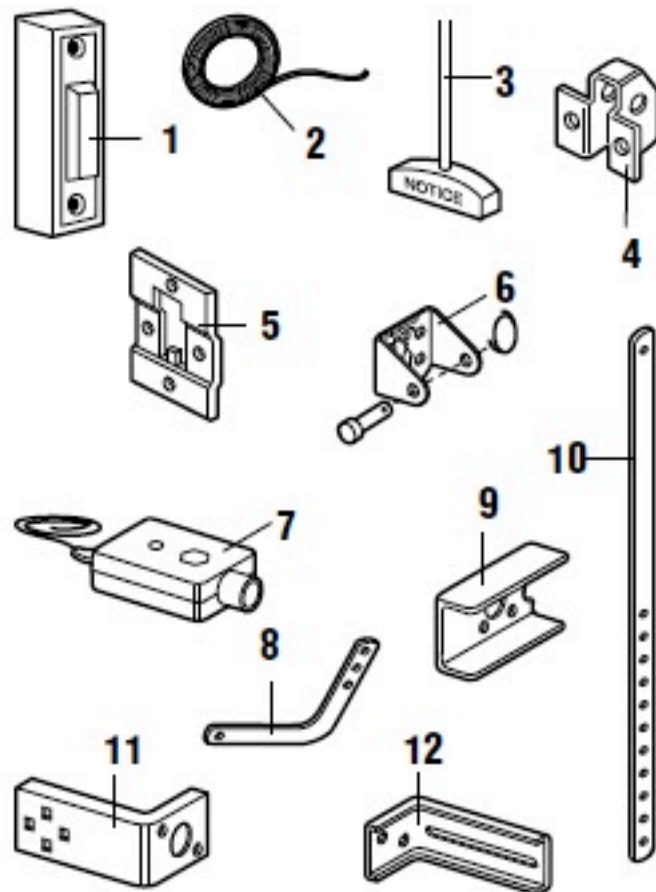
# REPAIR PARTS

## Rail Assembly Parts



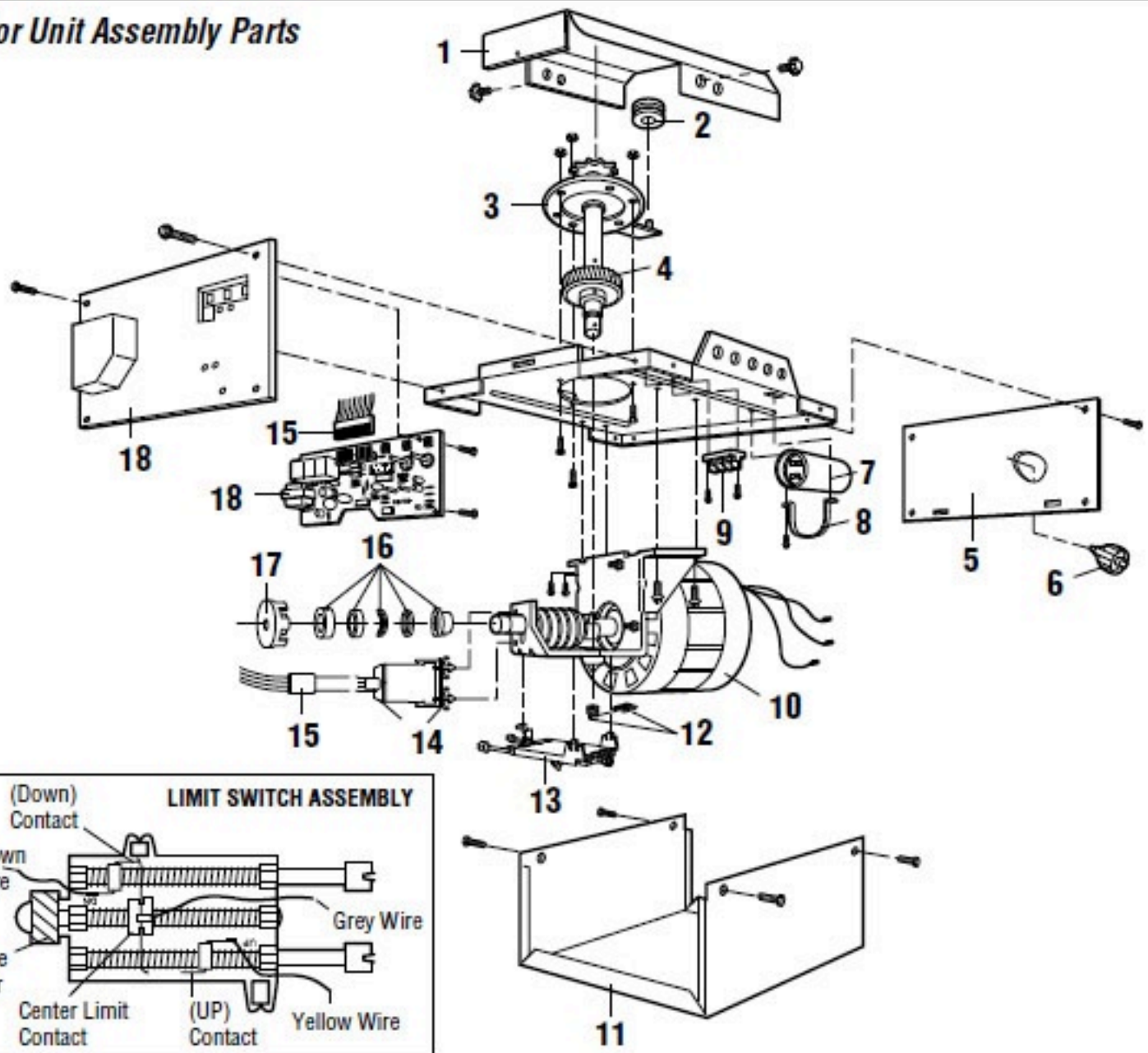
KEY NO.	PART NO.	DESCRIPTION
1	4A1008	Master link kit
2	41A2780	Chain pulley bracket
3	41A3489	Complete trolley assembly
4	CD1008	8 Foot (2.44 m) Rail Assembly
	CD1010	10 Foot (3.05 m) Rail Assembly
	CD1012	12 Foot (3.66 m) Rail Assembly
	CD1014	14 Foot (4.27 m) Rail Assembly
5	83A11	Rail grease
		<b>NOT SHOWN</b>
6	41C771	Center Bracket (1 pc.)

## Installation Parts



KEY NO.	PART NO.	DESCRIPTION
1	41A4166	Door control push button
2	41B4494-1	2-conductor bell wire, white & white/red
3	41A2828	Emergency release rope & handle assembly
4	12B374	Door bracket
5	12B380	Door bracket plate
6	41A4353	Header bracket with clevis pin & fastener
7	41A4373A	Safety sensor kit (receiving and sending eyes) with 3' (.9 m) 2-conductor bell wire attached
8	178B35	Curved door arm section
9	12B483	"C" Wrap bracket
10	178B34	Straight door arm section
	178B73	Straight door arm section (14 Foot (4.27 m) door)
11	12B484	Square hole mounting bracket
12	12B485	Slotted mounting bracket
		<b>NOT SHOWN</b>
	41A2770	Installation hardware bag (page 5).
	41A4116	Safety sensor hardware
	114A4285	Owner's manual
	114A4285SP	Owner's manual - Spanish

## Motor Unit Assembly Parts



KEY NO.	PART NO.	DESCRIPTION	KEY NO.	PART NO.	DESCRIPTION
1	41C5069	Rail support bracket assembly kit	10	41D4509	Replacement motor & bracket assembly <b>Complete with:</b> Motor, worm, bracket, bearing assembly
2	41B4569	Pulley (Chain)	11	41A4593-5	Cover
3	41A5668	Gear and sprocket assembly <b>Complete with:</b> Spring washer, thrust washer, retaining washer, bearing plate roll pins (2), drive gear and worm gear, helical gear with retainer and grease, sprocket shaft plate with screws	12	81C253	Helical gear & retainer with grease
4	41A2817	Drive/worm gear kit with grease Roll pins (2)	13	41A5640	Limit switch assembly
5	143D100-1	Front end panel	14	41C4398A	RPM sensor assembly
6	175B88	Light socket	15	41C4246	Wire harness assembly with plug
7	30B532	Capacitor	16	41A2826	Shaft bearing kit
8	12A461	Capacitor bracket	17	41A2822A	Interrupter cup assembly
9	41A3150	Terminal block with screws	18	41A5021-9G-315	Receiver logic board assembly <b>Complete with:</b> Logic board, end panel with all labels <b>NOT SHOWN</b>
				41A2825	Opener assembly hardware kit (includes screws not designated by a number in illustration).