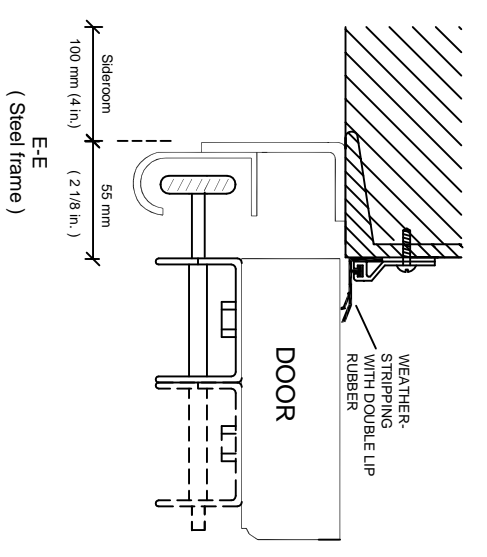
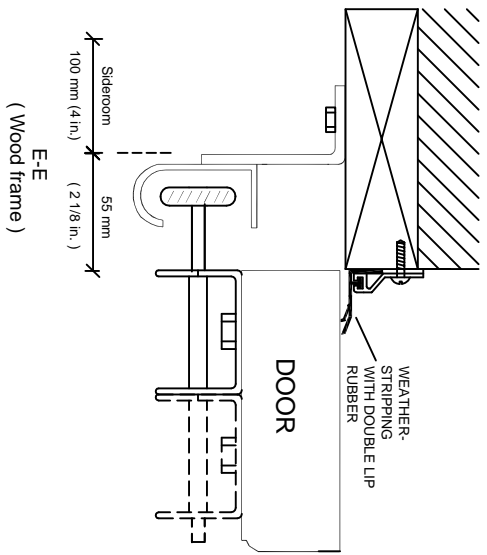
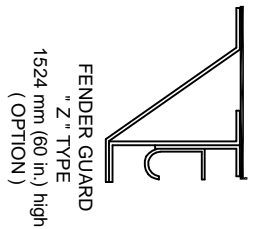
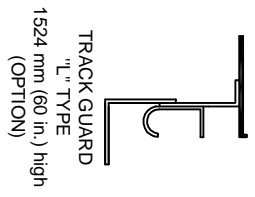


RECOMMENDATIONS

- 1-Frames, their extensions and anchor plates should be supplied by the general contractor and installed steady and straight for adequate support. All interior sides must be flush together.
- 2-All indicated clearances must be free of obstruction.
- 3-Steel frames may be manufactured with a U shaped beam, corner iron (L) or with an assembly of corner and flat iron. Jambes must show an interior facade of at least 75 mm (3 in.) width in order to support vertical tracks and balancing mechanism.
- 4-Wood frames may be 50 mm X 150 mm (2 x 6 in.). Jambes must show an interior facade of at least 100 mm width in order to support vertical tracks and balancing mechanism

Metal plates 150 x 200mm (6 x 8 in.) or wood pads 50 x 150 x 300 mm (2 x 6 x 12 in.)



# DOOR	QTY	WIDTH	HEIGHT	TRACK	LIFT	TOTAL HEIGHT REQUIRED	JAMB	OPTIONS													
								SPRING PADS POSITION	SHAFT CENTERLINE	CONTIN. ANGLE	DOUBLE HINGES	FENDER GUARDS	CYCLE SPRINGS								



HARWARE FOR OVERHEAD DOOR

PROJECT:

DISTRIB.:

ARCHITECT:

CONTRACTOR:

DATE: